

COMPACT DRIVER CONSOLE AND TICKET SELLING

- Tactile fleet management interface
- Printer and customer interface adjustable to adapt vehicle configuration
- Validator management and data concentrator



TRANSCITY™ SELECT

DS400: DRIVER CONSOLE COMPACT



DS400: DRIVER CONSOLE COMPACT

Developed for fare collection management in mobile environment (bus, tramways or light rail), the DS 400 manages vehicle fleet, trip ticket sales with embedded printer and ticket or cards validations directly on the console or on the validators in the vehicle.

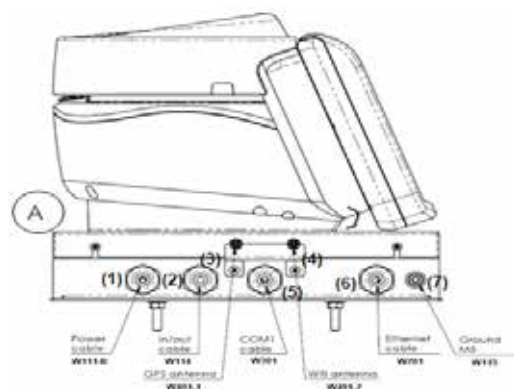
DS 400 offers a wide touch screen for the driver to log in, select the path, sells tickets and prints receipts. The passenger interface provides validation, information on validation status and indication leds.

The system integrates a GPS that allows for real time updating of on-board validators position.

Easy to use, DS400 is also easy to install. After fixing the base plate, the console is plugged and locked with a single key. Then, the printer and the user screen can be adjusted to the bus environment. In operations, the DS400 is the ticketing core of the vehicle: it concentrates all transactions from validators, triggers alarms or software updates and synchronizes with the ticketing system. This is a proven product; more than 3,500 units have been installed on the field.

INTERFACES

- Driver display : 6.5" TFT color screen*
- Resolution VGA: 640 X 480 dots
- Automatic Backlight management
- Sound: .wav files player
- Passenger interface: 128x64 and 3 LEDs
- Brightness: 600 cd/m²



PASSENGER DISPLAY

- Graphic display 128 x 64 dots resolution, with LED backlight
- 3 color LED's (green, yellow, red)
- Loudspeaker (up to 80 dBA at 1 meter)

CHARACTERISTICS

- Vibration: compliant with IEC 60721-3-5
- Environment: compliant with EN 60068-2
- Railway: compliant with EN 50155
- EMC : 610000 / Low Voltage : EN 60950
- Power supply range: 12 to 32 Vdc
- Humidity: 95% RH
- Coupler stands temperature range up to 60°C
- Overall dimensions: (L x W x H) 226 x 192 x 210
- Weight: around 4.4 kg, including baseplate Baseplate weight: 1.1 kg

CONTACTLESS SMART CARD READER

- Thales V4 CSC Reader/Writer EMV compliant which supports the following standards and cards:
- ISO 14443 Type A, such as Mifare 1K, 4K, Desfire,
- ISO 14443 Type B such as Calypso, GTML, CD97, CT2000, Sony Type

PRINTER

- Integrated high speed thermal printer, with easy loading paper and cutter:
- Raw print speed: up to 100 mm/s,
- Paper Width: up to 80 mm.

